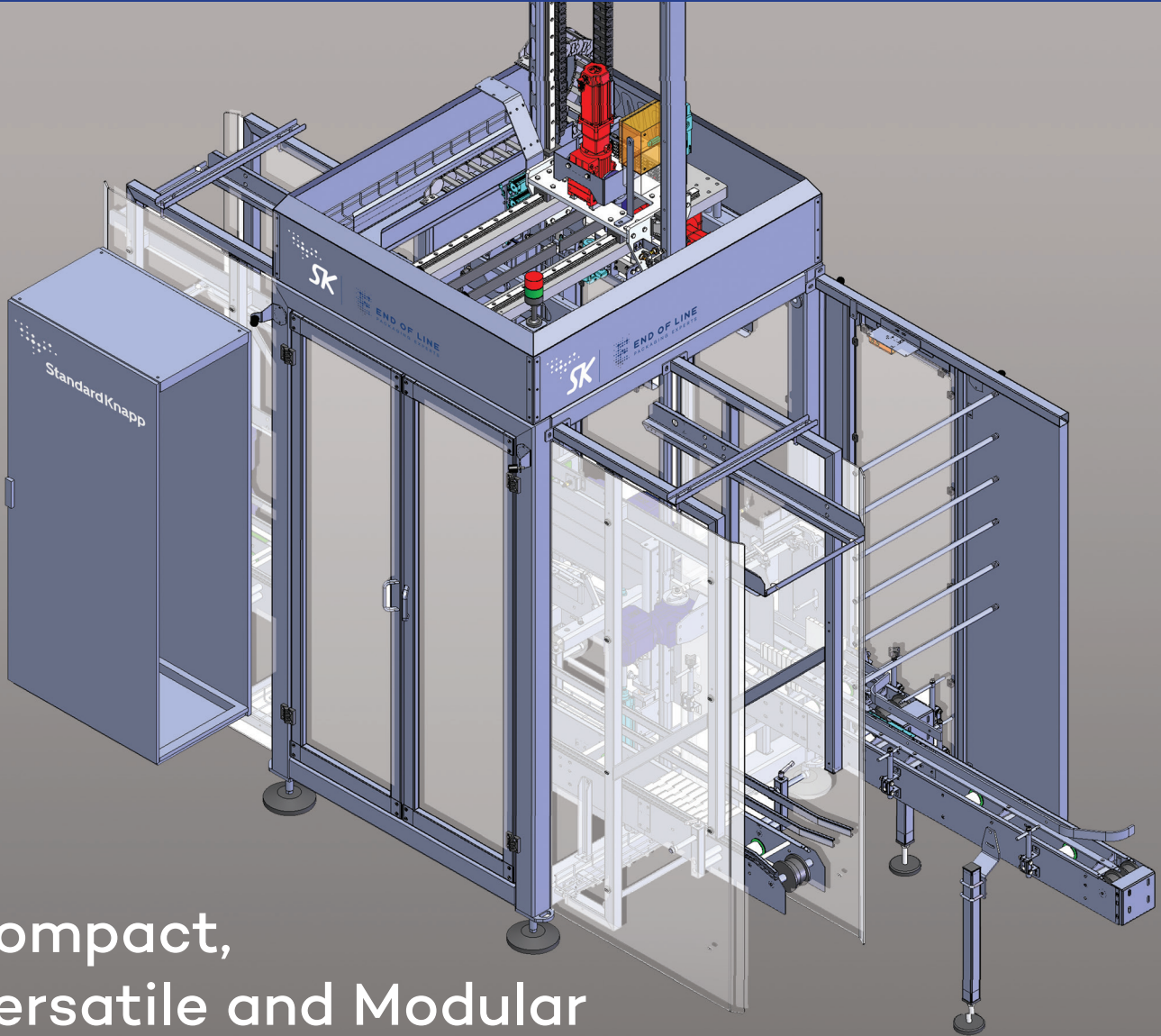




991 UNIPACK 2.0 CASE PACKER



Compact,
Versatile and Modular



Packs & Unpacks



Pick & Place Design



StandardKnapp



END OF LINE
PACKAGING EXPERTS

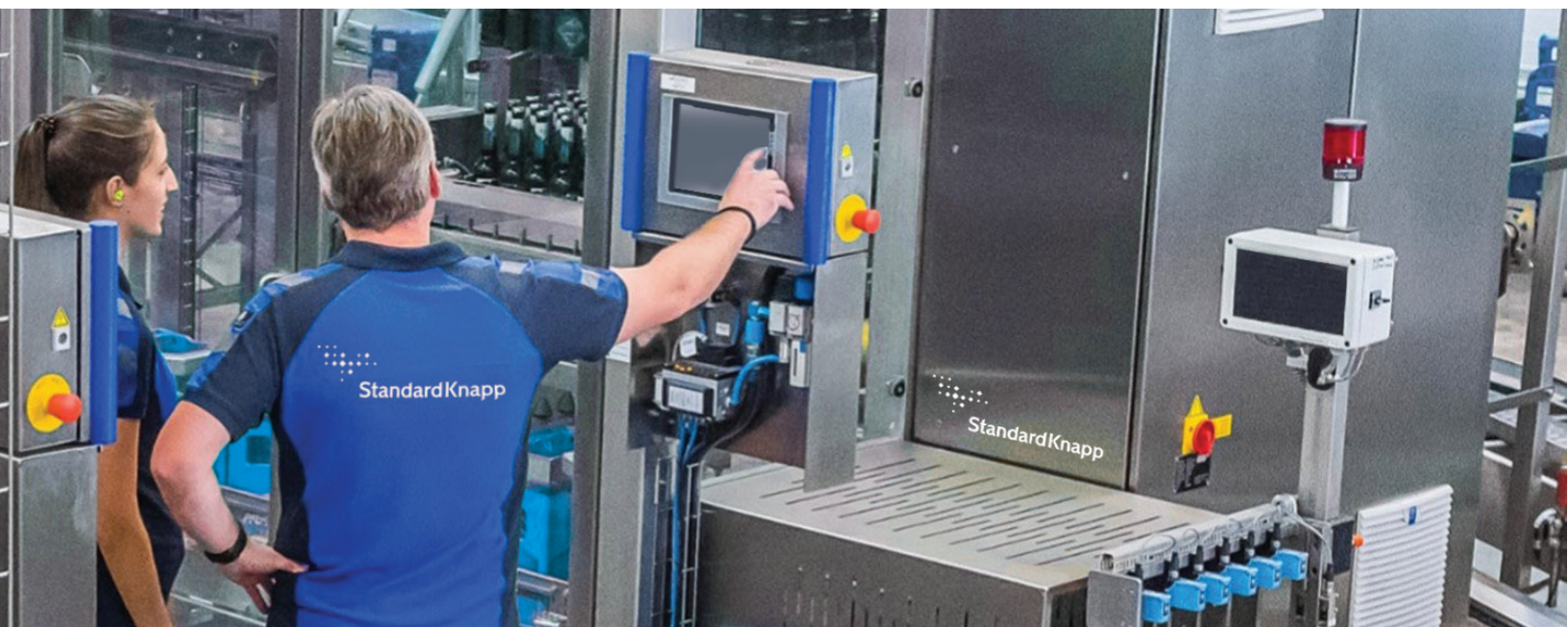


StandardKnapp

Model 991 Unipack 2.0



The versatile and compact Unipack 2.0 is a gantry-style pick and place case packer designed for applications across the brewing, beverage, dairy and food industries. Designed for small to medium plants, this packer shines in the 8 cycle-per-minute range. It covers a small footprint, and with an optional mobility kit provides true portability. The Unipack 2.0 is available in parallel and 90° conveyor layouts and can even be configured for use as an uncaser.



Robust Construction

Stainless steel tubular frame

High Reliability

Designed for 24/7 operation

Simple Operation

Fast, easy changeover

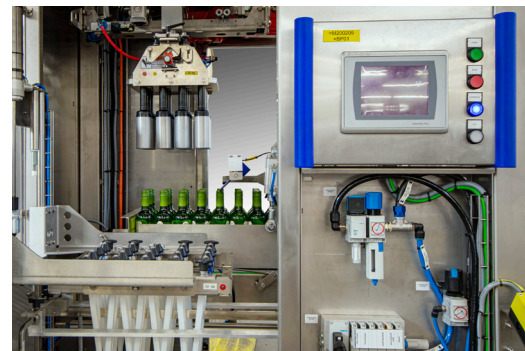
Easy Walk-by Maintenance™

See-through safety guarding

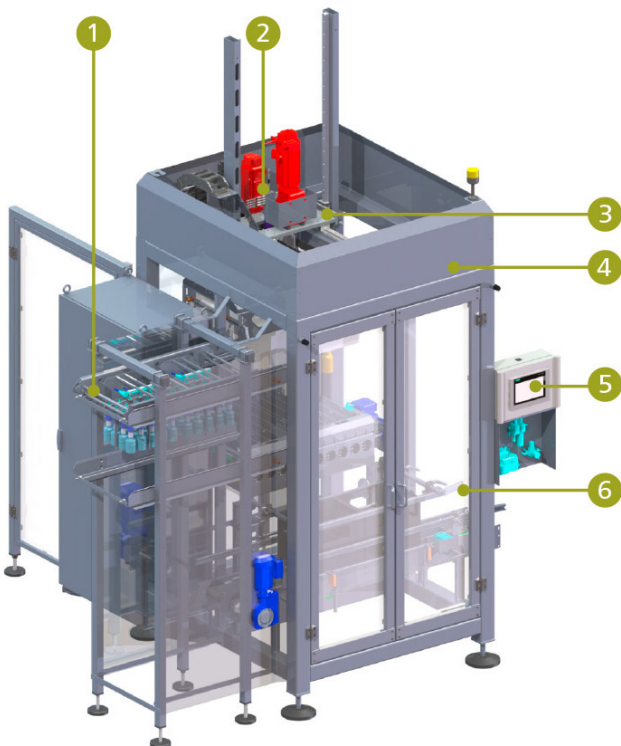
Flexible and Adaptable

To future applications

Quality Fit and Finish

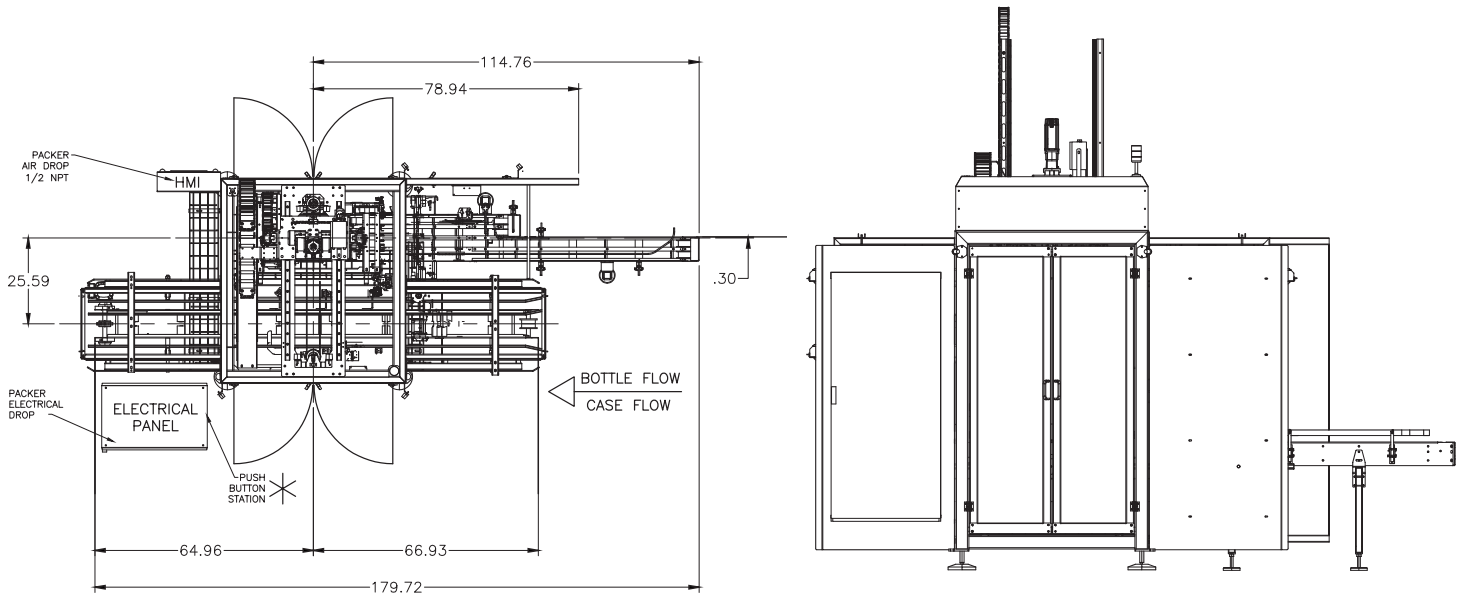


Operator view



1. Adjustable gripper heads for a wide range of applications
2. Dynamic servo-controlled gantry
3. Balanced load distribution based on a unique bridge-type design
4. Small footprint, with standard and 90° configurations available
5. Fully programmable product handling through intuitive HMI
6. Safety interlock guard doors

991 Unipack 2.0 Floor Plan (H-configuration shown, values are approximate)



991 Unipack 2.0 Case Packer Standard Features*

The Standard-Knapp Unipack 2.0 Case Packer features distortion-free stainless steel construction.

Model:	991 Case Packer, 661 Uncaser	Air:	60 psi with 1/2" NPT
Speed:	Up to 8 cycles/minute**	Motors:	Packer: Vari-speed through Allen Bradley PowerFlex 525 VFDs Case Feed: Vari-speed through Allen Bradley PowerFlex 525 VFDs
Product Range:	Glass, PET, bottles and cans - round, oval, molded	Controller:	Allen Bradley
Construction:	Heavy-duty stainless steel, tubular with weldments	Enclosures:	NEMA 4X
Container Range:	Crate, carton, tray, cluster, basket, display	Operator Interface:	Allen Bradley
Layout Options:	T-configuration or H-configuration	Control Voltage:	24 Volt DC
		Industries:	Brewing, Beverage, Dairy and Food

* Standard-Knapp is committed to continuous product improvement. Specifications are subject to change without notice.

** Up to 20 cases per minute achievable with tandem gripper head. Contact Standard-Knapp to discuss your specific application needs.



63 Pickering Street, Portland, CT USA
 (860) 342-1100 • 1-800-628-9565
 info@standard-knapp.com
 www.standard-knapp.com • www.eol.group