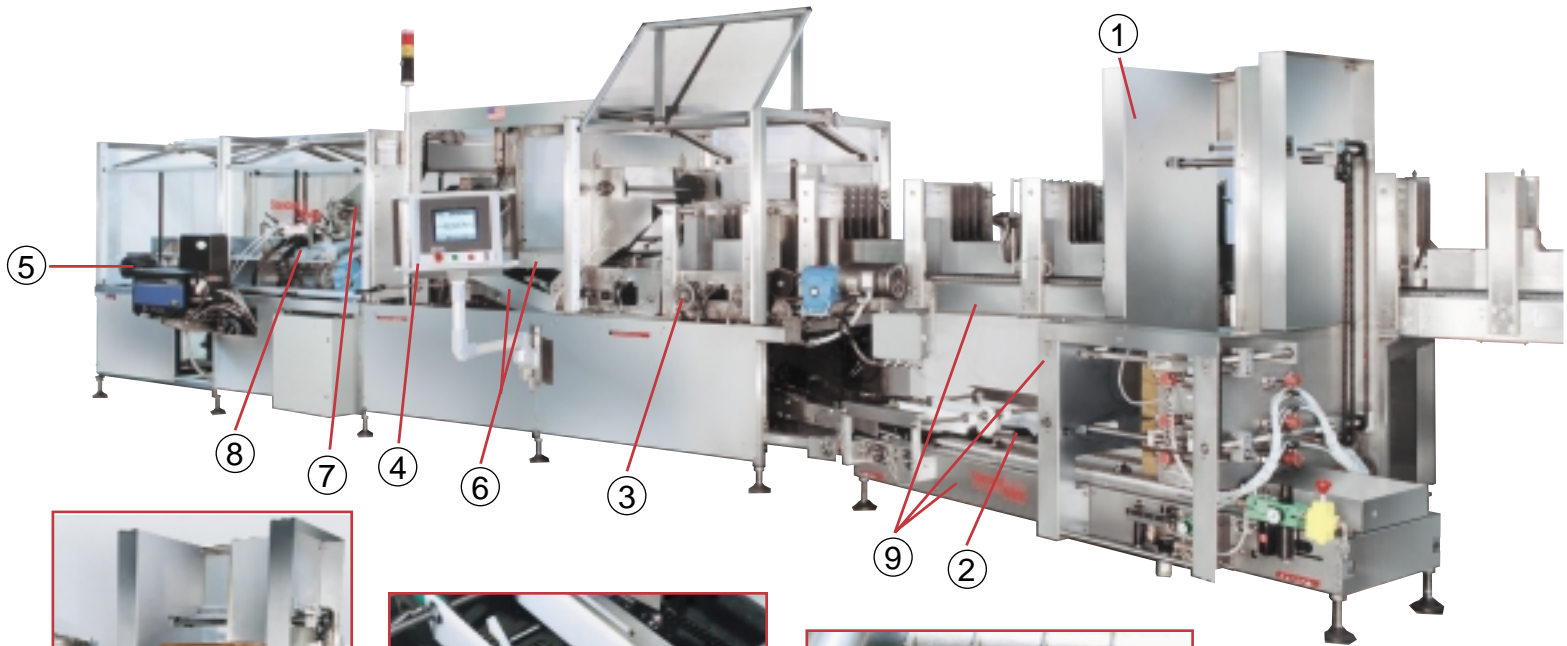


*Continuum*TM Continuous Motion Tray Packer



Standard Knapp
Standard Knapp

Continuum™ Features



① Easy, continuous loading, vertical stack, high capacity blank magazine.



② Positive tray transport keeps control of tray during transfer from magazine.



③ Servo-controlled grouper provides positive product handling and quick and easy changeover.



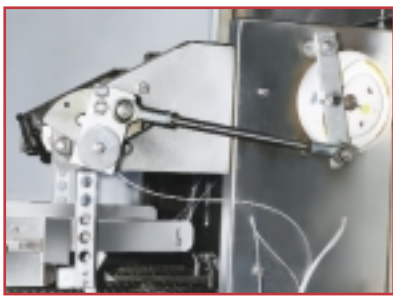
④ Graphic display, touch screen operator interface simplifies operation and provides checklist for changeover functions.



⑤ "Phaser" adjustment allows easy changes to compression pocket size for optimum squareness of trays.



⑥ Inline product handling allows narrow footprint for efficient use of plant space.



⑦ Mechanically timed flap tuckers ensure consistent tray forming at varying speeds.

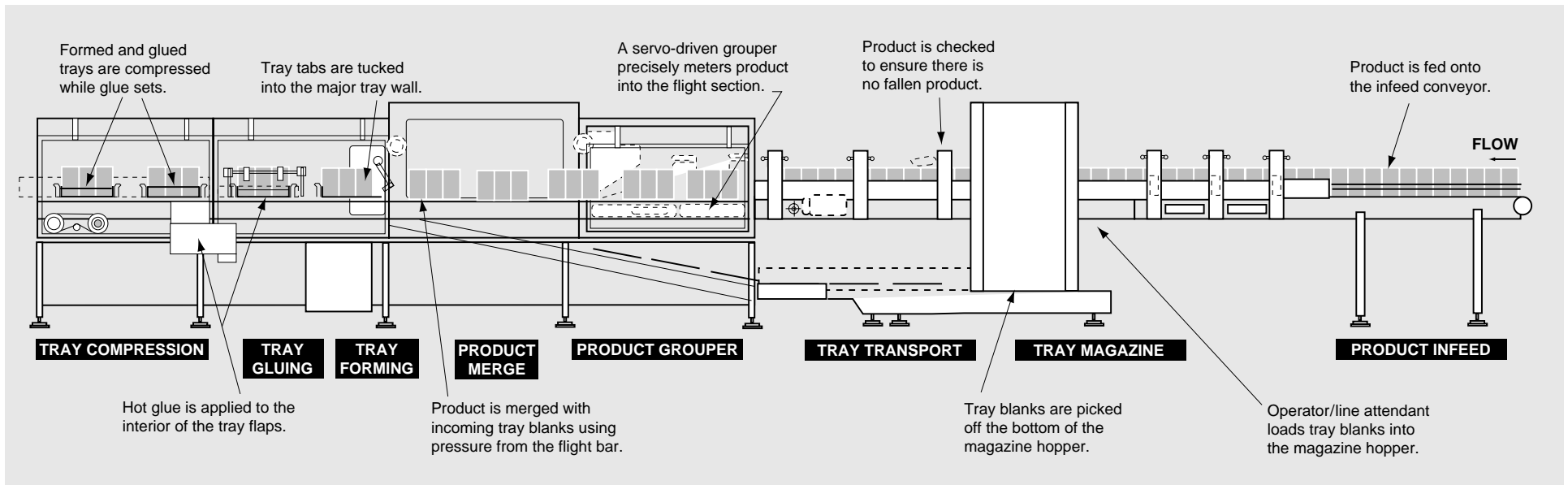
⑧ Four-gun gluing option ensures trays are sealed under all conditions.



⑨ Stainless steel frame construction (optional) reduces machine maintenance requirements and allows for easy machine cleaning.

Continuum

Description of Operation



The Fastest Changeover in the Industry

- “By the Numbers” changeover system ensures prompt start-up with no tweaking
- Step-by-step checklist on touch screen
- No tools required for adjustments
- Minimum change parts (lane spacers)

Options Available

- Stainless or mild steel construction
- Four-gun gluing
- Manual partition section
- Versions for 50 TPM, 70 TPM or 100 TPM
- Automatic central lubrication system
- Integration with shrink wrapper



STANDARD-KNAPP, INC.

127 Main Street, Portland, CT 06480 U.S.A.

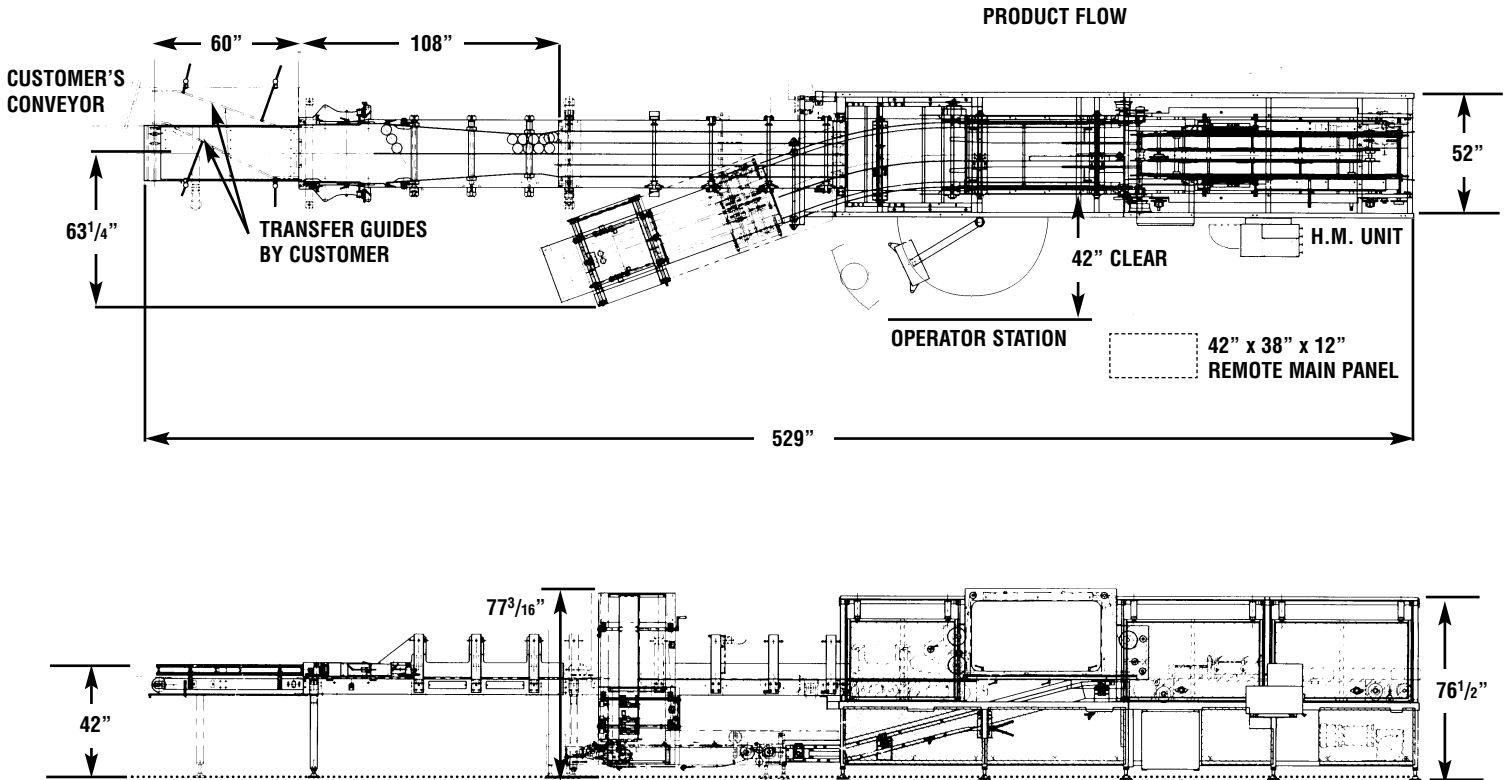
SALES PHONE: (860) 342-1100, ext. 239

SALES FAX: (860) 342-1557

EMAIL: info@standard-knapp.com

WEB SITE: www.standard-knapp.com

Continuum™ Floor Plan



Specifications*

Speed:

50, 70, 100 TPM

Product Sizes:

202 dia. to 603 dia.

Products:

Glass jars, metal and fiber cans

Magazine:

Continuous loading vertical hopper, appr. 500 blank capacity

Pack Patterns**:

2 x 2, 3 x 2, 4 x 3, 6 x 4

Air Requirements:

5 scfm @ 90 psi

Power Requirements:

460 v, 60 cycle, 3 phase,
30 Amp drop

Main Control Enclosure:

NEMA 4, painted steel-it

Machine-Mounted Enclosures:

NEMA 4

Controls:

24 vDC with A-B SLC 500
Series processor

Operator Interface:

Computer Technology
Corporation touch screen

* Specifications subject to change without notice.

** Pack patterns vary for different diameter products.



STANDARD KNAPP, INC.

127 Main Street, Portland, CT 06480

SALES PHONE: (860) 342-1100, ext. 239

SALES FAX: (860) 342-0782

EMAIL: info@standard-knapp.com