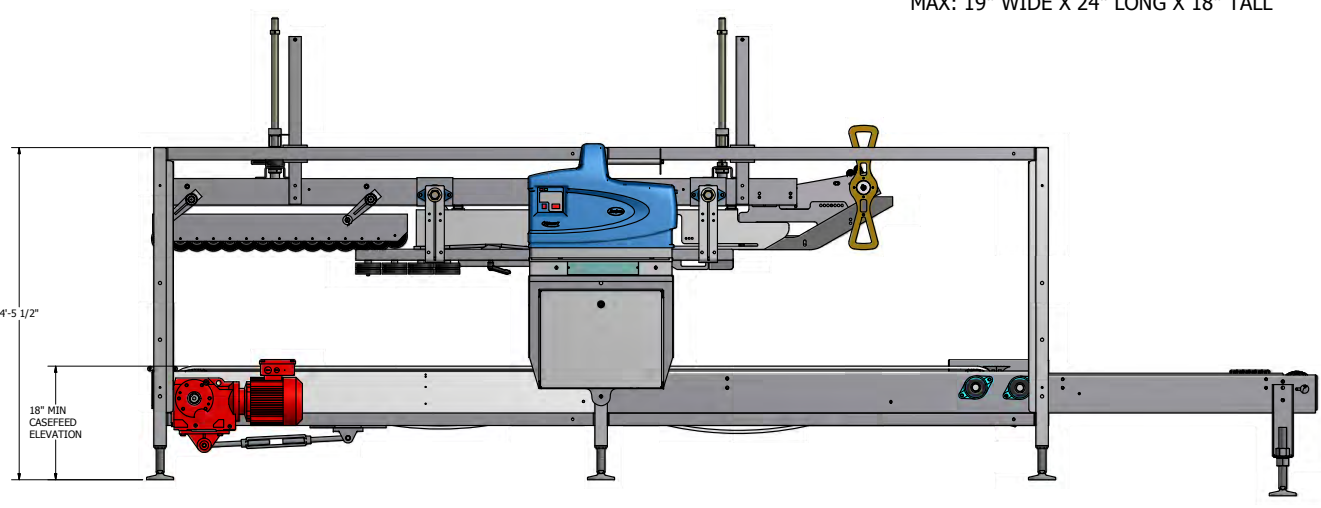
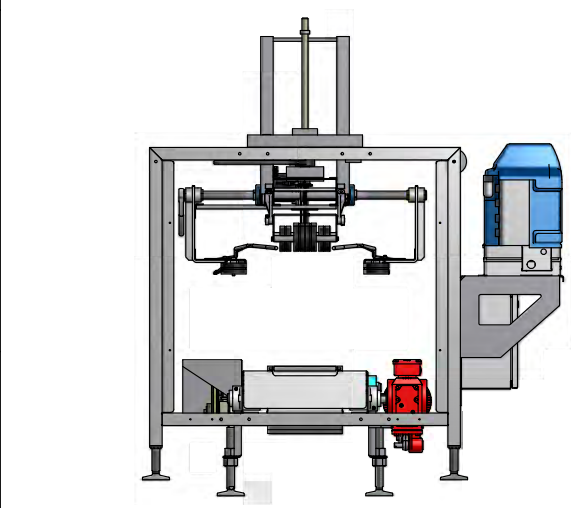


← FLOW

STANDARD SEALER RANGE
 MIN: 5.5" WIDE X 7" LONG X 5" TALL
 MAX: 19" WIDE X 24" LONG X 18" TALL



<p>Standard Knapp <small>an EMPLECO Steel Company</small></p> <p>PROPRIETARY NOTICE <small>This drawing and the equipment depicted herein are the confidential property of EMPLECO Steel Company. It is to be used only for the specific project and equipment identified herein. It is not to be reproduced, copied, or disseminated in any form without the express written consent of EMPLECO Steel Company.</small></p>	<p>THE FOLLOWING APPLY - UNLESS OTHERWISE SPECIFIED</p> <p>FINISH: ALL DIMENSIONS ARE IN INCHES <small>REF: ALL DIMENSIONS - 1/16" & 1/32"</small></p> <p>FINISH: STAINLESS STEEL - 304 <small>MAX. 1/8" RADIUS</small></p> <p>PAINT: ALL DIMENSIONS IN FEET <small>STANDARD FINISH - 1/2" RADIUS</small></p> <p>STRENGTH: ALL DIMENSIONS IN FEET <small>STANDARD FINISH - 1/2" RADIUS</small></p> <p>WELDS: ALL DIMENSIONS IN FEET <small>STANDARD FINISH - 1/2" RADIUS</small></p> <p>DO NOT SCALE DRAWING</p>	<p>Standard Knapp <small>an EMPLECO Steel Company</small></p> <p>TITLE 199 SEALER FLOOR PLAN</p>
	<p>TREATMENT: orlandos</p> <p>APPROVALS: orlandos</p> <p>DATE: 10/2/2012</p>	<p>SCALE: D 10000/10X</p> <p>SHEET 1 of 1</p>